

Data Sheet



Model OI-7032 GenII WireFree 32-Channel Touch-Screen Monitor

PRODUCT PHOTO



DESCRIPTION

The Otis Instruments, Inc. GenII OI-7032 is a Touch-Screen Monitor that supports up to 32 WireFree sensor units, and up to four 4-20mA input sensors (when only 28 channels are setup as WireFree).

The OI-7032 is backward compatible with GenI WireFree sensor units, and also supports GenII Wirefree sensor units (configurable).

FEATURES

- RS-485 RTU Modbus output
- Ability to disable alarm relays
- Ability for each relay to be latched or non-latched
- Compatible with WireFree and/or Wired (4-20mA) Sensor Assemblies
- Monitors up to 32 individually configurable WireFree sensors, or up to 4 wired sensors with 28 Wirefree sensors (or different combinations)
- Continuous scanning to monitor all 32 channels

SPECIFICATIONS

Operating Voltage:	120/240 Volts AC
Compatibility:	Otis WireFree and wired (4-20mA input) sensor units
Channels:	32
Wired Output:	RS-485 Modbus
Relays:	Four dry-contact (5 Amp) 4 Amp fuses
Protection:	Power EMI filter, 4-20mA and RS-485 surge suppression
Current Draw:	300mA (typical, no wired sensor assemblies) 3A max (with 4-20mA input sensor assemblies)
Radio Options:	· 900 MHz (Legacy Option), 100mW, 7 miles Line-Of-Site (LOS) · 2.4 GHz ISM, 100mW, 3 miles LOS · 900 MHz (expected release: 1H 2011)
Operating Range:	0° to 45° C
Antennas:	Solid black - 900 MHz Yellow tip – 2.4 GHz
Display:	7.0 Inch 800x480 pixels resistive touchscreen
Enclosure:	Stahlin 12x10x6 fiberglass w/ clear window
Certifications:	NEMA 4 (enclosure only)
Warranty:	One year (limited)

Otis Instruments, Inc.
2200 E. Villa Maria Dr
Bryan, TX 77802

979.776.7700

Fax: 979.776.7719

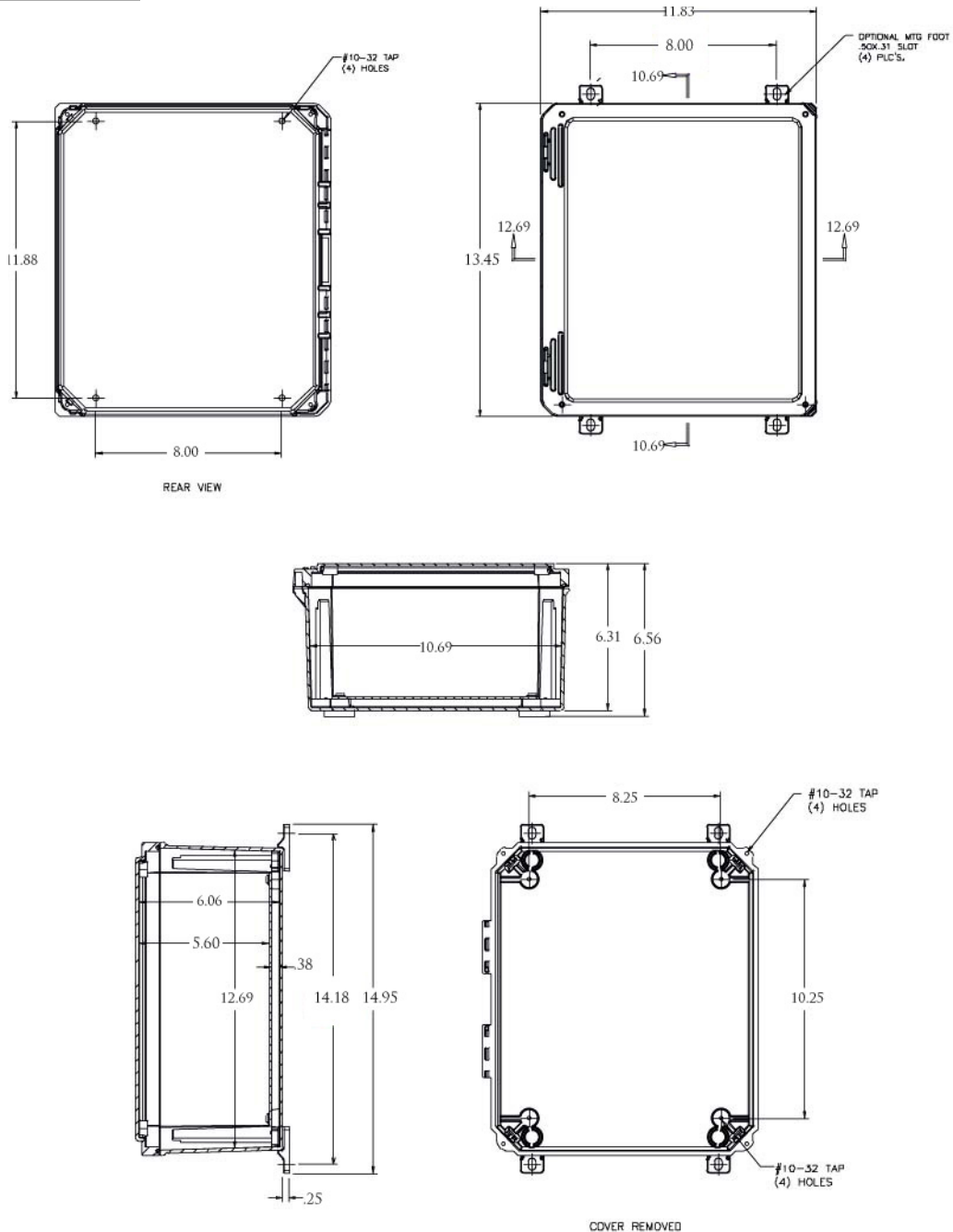
info@otisinstruments.com
www.otisinstruments.com

Data Sheet

Model OI-7032 GenII WireFree 32-Channel Touch-Screen Monitor



DIMENSIONS



Revision 1.0

Otis Instruments, Inc.
2200 E. Villa Maria Dr
Bryan, TX 77802

979.776.7700

Fax: 979.776.7719

info@otisinstruments.com
www.otisinstruments.com